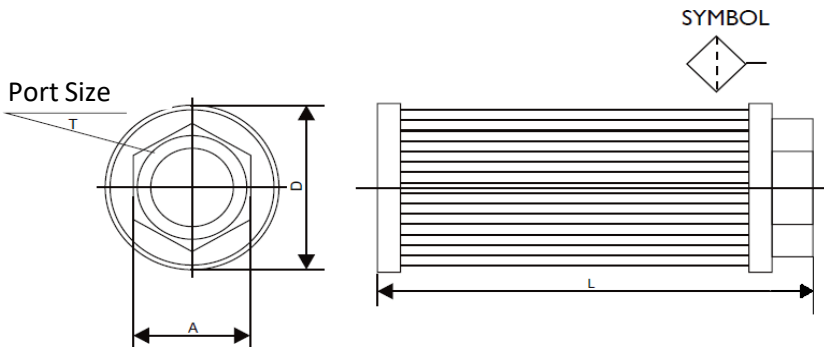
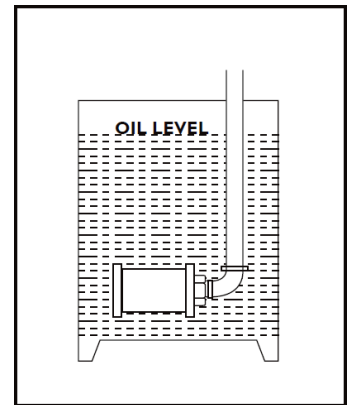


## SUCTION STRAINER

MODEL: SS



- A complete range of Suction Strainers suitable for flows from 15 LPM (3gpm) to 450 LPM (100gpm).
- The construction incorporates a stainless steel filtering media with a steel back-up perforated sheet held together with free flow epoxy bonding material.
- 149 micron filtration to give maximum efficiency at full flow.
- Maximum working temperature of 90°C



We also make filters as per customer specifications.

Model Selection chart					
Suction Strainer	Flow	Diameter ( D )	Port Size	Thread Type	Material
SS	15	52	1/4"	BSP	P ( Plastic )
	30	63	3/8"	BSPT	M ( Metal )
	60	90	1/2"	NPT	
	90	140	5/8"		
	125		3/4"		
	160		1"		
	200		1 1/4"		
	250		1 1/2"		
			2"		
			2 1/2"		
		3"			

### Off the Shelf ( OTS ) Models

Cap Material	Model	Capacity LPM	A.A/F	Diameter	Length	Port Size	Filtration Area M2
Nylon GF 15%	SS1552 1/2" BSP - P	15	32	52	87	1/2" BSP	0.03
	SS1563 3/4" BSP - P	15	36	63	62	3/4" BSP	0.027
	SS3063 3/4" BSP - P	30	36	63	120	3/4" BSP	0.05
	SS6063 1" BSP - P	60	45	63	160	1" BSP	0.07
	SS9090 1 1/4" BSP - P	90	60	90	125	1 1/4" BSP	0.09
	SS9090 1 1/2" BSP - P	90	60	90	125	1 1/2" BSP	0.09
	SS12590 1 1/2" BSP - P	125	60	90	190	1 1/2" BSP	0.13
	SS16090 1 1/2" BSP - P	160	60	90	230	1 1/2" BSP	0.16
	SS20090 2" BSP - P	200	68	90	270	2" BSP	0.19
	SS25090 2" BSP - P	250	68	90	311	2" BSP	0.22
Aluminium nut cap & MS bottom cap	SS250140 2" BSP - M	250	70	140	170	2" BSP	0.25
	SS300140 2 1/2" BSP - M	300	70	140	260	2 1/2" BSP	0.29
	SS340140 2 1/2" BSP - M	340	84	140	290	2 1/2" BSP	0.32
	SS450140 3" BSP - M	450	100	140	340	3" BSP	0.45
	SS1000140 3" BSP - M	1000	100	140	725	3" BSP	0.91